

SECTION 8



TV EQUIPMENT

(Product Group - 900)

Winegard Antenna and Spares	332 - 337
Foldaway Antenna and Accessories	337
Happy Wanderer Antenna and Spares	337 - 338
Signal Boosters	339
Reversing Cameras	339 - 341
Sphere™ Entertainment	341 - 344
Sphere™ Satellite	345 - 346
Fusion Entertainment	347 - 350
Furrion Audio/Visual Entertainment	351 - 355

WATER HEATERS

(Product Group - 950)

Suburban HWS Range	356 - 361
HWS Maintenance Accessories	362
Suburban Nautilus HWS and Accessories	363 - 366

FURRION PORTABLE BLUETOOTH SPEAKER



The all new FURRION LIT was created for mobile and adventurous living, the portable Bluetooth® speaker is compact, big on sound and features a rugged design so you can take it anywhere.

Designed for mobile and adventurous living, the Furrion LIT portable Bluetooth speaker is compact in size and big on sound. Its unique rugged design is waterproof, shockproof, sand proof, comes with a built-in flashlight and has up to 15 hours of play time. LIT can be mounted in an RV so you can take the party anywhere. The mount is simple to install, acts as a charging station and secures the speakers when you're on the road.

Features

- > Playtime Up to 15 hours
- > Torch Light
- > Waterproof IPX7
- > Bluetooth
- > NFC
- > Speaker Phone
- > Micro USB Inputs
- > USB Charging Out

Specifications

- > Rated Power 10W x2 RMS
- > Battery 1800mAh x2
- > Signal To Noise Ratio ≥ 80 dB
- > SOS Light Effect Yes

900-20700

FURRION PORTABLE BLUETOOTH SPEAKER - BLACK



900-20702

FURRION PORTABLE BLUETOOTH SPEAKER - WHITE



900-20750

FURRION WIRELESS CHARGING DOCK FOR PORTABLE BLUETOOTH SPEAKER



950-00024 SUBURBAN DIRECT SPARK IGNITION HOT WATER SERVICE (SW6DA)

Has a 12V ignitor and operates on Universal gas.

Specifications

Capacity: 22.6L

Max working pressure: 850Kpa

Hourly gas consumption: 9.60mj/hour

Test point pressure: 2.63Kpa

Jet orifice size: 0.89mm

Type of heating medium: Universal Gas

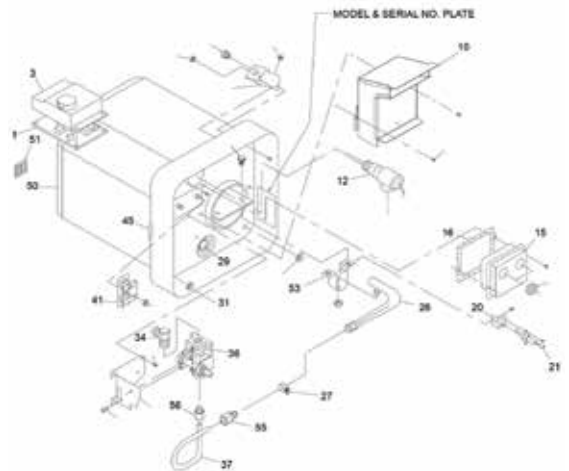
Recovery: 40L/hr 45°C rise

Electrical: For automatic gas ignitor 12V DC

Dimensions: 320W x 320H x 500D (mm)

Item No.	Part No.	Description
1	950-02522	Suburban New Style Computer Board. 521114
3	950-02532	Suburban Large Plastic Cover For Computer Board. 090613/0ld090470
10	950-01446	Suburban New Flue Collector T/S Sw4dea/Sw6da/Sw6dea. 102434
12	950-01122	Suburban Pressure Relief Valve 240V For Sw6dea 240V. 161166
15	950-02622	Suburban T/Stat Cover Double Reset For Sw6dea.090467/090562
16	950-02624	Suburban Gasket T/S Thermostat 090562. 070987
20	950-02539	Suburban Mounting Bracket For Electrode Probe Sw6da. 063187

21	950-02538	Suburban Electrode Probe For Sw6da. 232258
26	950-01242	Suburban Main Burner W/In-Built Orifice. 010843/010844
27	950-01258	Suburban Air Shutter Clamp For Sw6pa & Sw6da Hws. 010857
29	950-01140	Suburban Anode Rod For All Suburban Hws. 232767
34	950-02670	Suburban Gas Supply Elbow For Direct Spark Hws. 170374
36	950-02632	Suburban Gas Valve Suit Direct Spark. 161109/161164
37	950-01174	Suburban Manifold Outlet T/S Sw6da & Sw4/6Dea. 171420
41	950-02600	Suburban T/Stat 12Vdc Sw6da/Sw4dea/Sw6dea 60Deg C. 232319/232322
45	950-01390	Suburban Grommet Only T/S Gas Inlet Pipe. 070989
50	Z950-01404	Suburban Insulation Jacket Kit T/S Hws Sw6dea/Sw6da. 520868
51	950-02500	Suburban Switch & Plate Assy White For Sw6da. 232589
53	950-01252	Suburban Saddle Bracket For Main Burner. 063244/063444
55	Z950-01380	Suburban Nut Loxit 1/4" Suit Sw6pa 4/96 Model. 171463



950-00034**SUBURBAN HOT WATER HEATER 12V & 240V ELECTRIC (SW6DEA)**

Has a 12V ignitor and operates on Universal gas and 240V. User is able to control which operation is sourced by means of an internal switch for gas and an external switch for electricity.

Specifications

Capacity: 22.6L

Max working pressure: 850Kpa

Hourly gas consumption: 9.60mj/hour

Test point pressure: 2.63Kpa

Jet orifice size: 0.89mm

Type of heating medium: Universal Gas/240V

Recovery: 40L/hr 45°C rise

Electrical:

- For auto gas ignitor: 12V DC

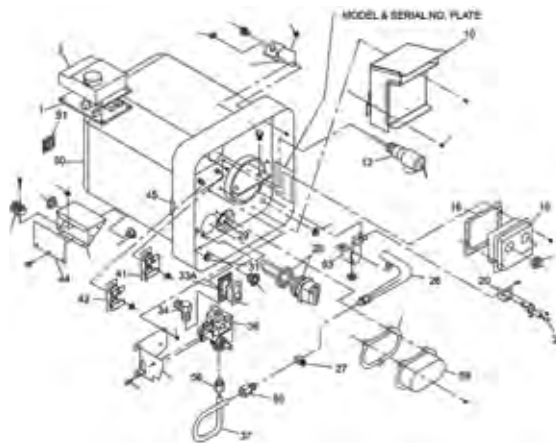
- For models with 240V: 240V - 50HZ AC heating element

- Element rating: 1440W - 6A

Dimensions: 320W x 320H x 500D (mm)

Item No.	Part No.	Description
1	950-02522	Suburban New Style Computer Board. 521114
3	950-02532	Suburban Large Plastic Cover For Computer Board. 090613/Old090470
10	950-01446	Suburban New Flue Collector T/S Sw4dea/Sw6da/Sw6dea. 102434
12	950-01122	Suburban Pressure Relief Valve 240V For Sw6dea 240V. 161166
15	950-02622	Suburban T/Stat Cover Double Reset For Sw6dea.090467/090562
16	950-02624	Suburban Gasket T/S Thermostat 090562. 070987
20	950-02539	Suburban Mounting Bracket For Electrode Probe Sw6da. 063187
21	950-02538	Suburban Electrode Probe For Sw6da. 232258

26	950-01242	Suburban Main Burner W/In-Built Orifice. 010843/010844
27	950-01258	Suburban Air Shutter Clamp For Sw6pa & Sw6da Hws. 010857
28	950-02691	Suburban New Element 240V 1440W 6Amp T/S Sw4dea/Sw5ea/Sw6dea. 520831
29	950-01140	Suburban Anode Rod For All Suburban Hws. 232767
33	950-02502	Suburban 240V Switch For Sw4dea/Sw6dea/Sw5ea. 233110/Old232668
34	950-02670	Suburban Gas Supply Elbow For Direct Spark Hws. 170374
36	950-02632	Suburban Gas Valve Suit Direct Spark. 161109/161164
37	950-01174	Suburban Manifold Outlet T/S Sw6da & Sw4/6Dea. 171420
41	950-02600	Suburban T/Stat 12Vdc Sw6da/Sw4dea/Sw6dea 60Deg C. 232319/232322
42	950-02612	Suburban T/Stat 240Vac Sw5ea/Sw4dea/Sw6dea 60Deg C.232317/232320
44	950-02640	Suburban Cover For Junction Box. 090576
45	950-01390	Suburban Grommet Only T/S Gas Inlet Pipe. 070989
50	Z950-01404	Suburban Insulation Jacket Kit T/S Hws Sw6dea/Sw6da. 520868
51	950-02500	Suburban Switch & Plate Assy White For Sw6da. 232589
53	950-01252	Suburban Saddle Bracket For Main Burner. 063244/063444
55	Z950-01380	Suburban Nut Loxit 1/4" Suit Sw6pa 4/96 Model. 171463
59	950-02692	Suburban Element Cover For Sw6dea. 090445



950-00044 SUBURBAN 240V ONLY HWS WITH DOOR (SW5EA)

Operates on electricity only.

Specifications

Capacity: 17.7L

Max working pressure: 850Kpa

Type of heating medium: 240V

Recovery: 21L/hr 45°C rise

Electrical:

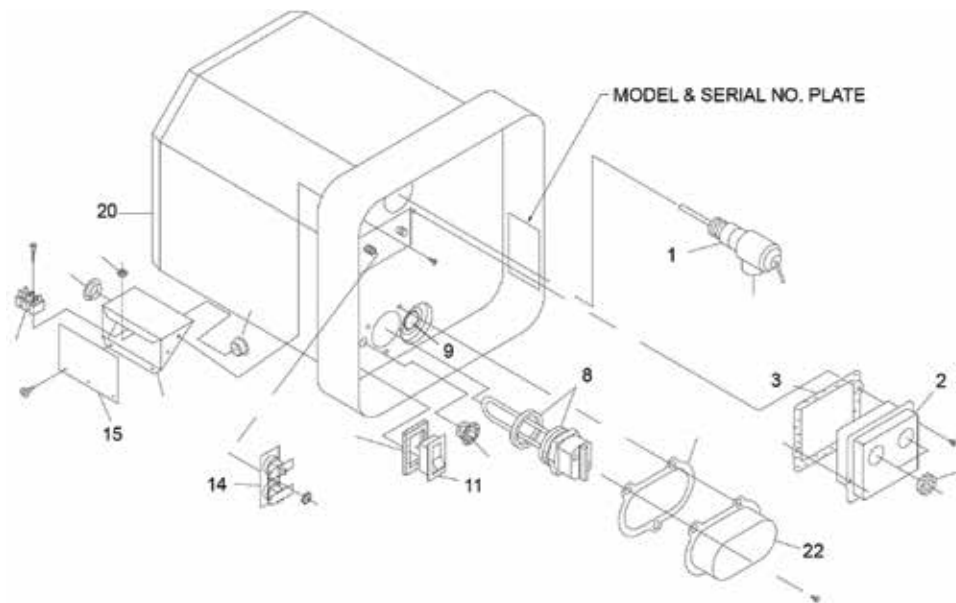
- For models with 240V heating element: 240V - 50HZ AC

- Element rating: 1440W - 6A

Dimensions: 320W x 320H x 450D (mm)

Item No.	Part No.	Description
1	950-01122	Suburban Pressure Relief Valve 240V For Sw6dea 240V. 161166
2	950-02622	Suburban T/Stat Cover Double Reset For Sw6dea.090467/090562

3	950-02624	Suburban Gasket T/S Thermostat090562. 070987
8	950-02691	Suburban New Element 240V 1440W 6Amp T/S Sw4dea/Sw5ea/Sw6dea. 520831
9	950-01140	Suburban Anode Rod For All Suburban Hws. 232767
11	950-02502	Suburban 240V Switch For Sw4dea/Sw6dea/Sw5ea. 233110/01d232668
14	950-02612	Suburban T/Stat 240Vac Sw5ea/Sw4dea/Sw6dea 60Deg C.232317/232320
15	950-02640	Suburban Cover For Junction Box. 090576
20	Z950-01402	Suburban Insulation Jacket Kit T/S Hws Sw4dea/Sw5ea. 520867
22	950-02692	Suburban Element Cover For Sw6dea. 090445



950-00054**SUBURBAN HWS 12V & 240 VOLT WITH DOOR (SW4DEA)**

Has a 12V ignitor and operates on Universal gas and 240V. User is able to control which operation is sourced by means of an internal switch for gas and an external switch for electricity.

Specifications

Capacity: 15.1L

Max working pressure: 850Kpa

Hourly gas consumption: 9.60mj/hour

Test point pressure: 2.63Kpa

Jet orifice size: 0.89mm

Type of heating medium: Universal Gas/240V

Recovery: 40L/hr 45°C rise

Electrical:

- For auto gas ignitor: 12V DC

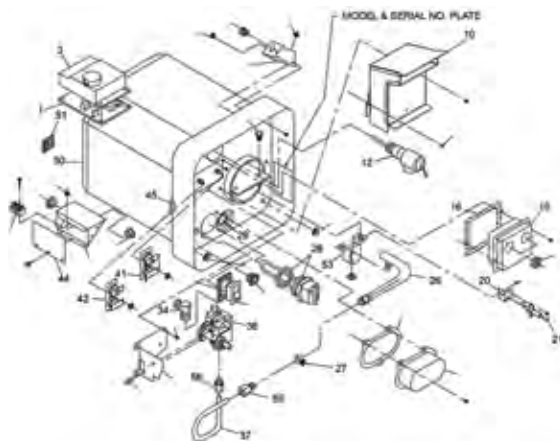
- For models with 240V heating element: 240V - 50HZ AC

- Element rating: 1440W - 6A

Dimensions: 320W x 320H x 450D (mm)

Item No.	Part No.	Description
1	950-01122	Suburban Pressure Relief Valve 240V For Sw6dea 240V. 161166
3	950-02624	Suburban Gasket T/S Thermostat090562. 070987
10	950-01140	Suburban Anode Rod For All Suburban Hws. 232767
12	950-02502	Suburban 240V Switch For Sw4dea/Sw6dea/Sw5ea. 233110/0ld232668
15	950-02640	Suburban Cover For Junction Box. 090576
16	950-02640	Suburban Cover For Junction Box. 090576
20	950-02502	Suburban 240V Switch For Sw4dea/Sw6dea/Sw5ea. 233110/0ld232668

21	950-02640	Suburban Cover For Junction Box. 090576
26	950-02640	Suburban Cover For Junction Box. 090576
27	950-02502	Suburban 240V Switch For Sw4dea/Sw6dea/Sw5ea. 233110/0ld232668
28	950-02691	Suburban New Element 240V 1440W 6Amp T/S Sw4dea/Sw5ea/Sw6dea. 520831
29	950-01140	Suburban Anode Rod For All Suburban Hws. 232767
33	950-02502	Suburban 240V Switch For Sw4dea/Sw6dea/Sw5ea. 233110/0ld232668
34	950-02670	Suburban Gas Supply Elbow For Direct Spark Hws. 170374
36	950-02632	Suburban Gas Valve Suit Direct Spark. 161109/161164
37	950-01174	Suburban Manifold Outlet T/S Sw6da & Sw4/6Dea. 171420
41	950-02600	Suburban T/Stat 12Vdc Sw6da/Sw4dea/Sw6dea 60Deg C. 232319/232322
42	950-02612	Suburban T/Stat 240Vac Sw5ea/Sw4dea/Sw6dea 60Deg C.232317/232320
44	950-02640	Suburban Cover For Junction Box. 090576
45	950-01390	Suburban Grommet Only T/S Gas Inlet Pipe. 070989
50	950-01404	Suburban Insulation Jacket Kit T/S Hws Sw6dea/Sw6da. 520868
51	950-02500	Suburban Switch & Plate Assy White For Sw6da. 232589
53	950-01252	Suburban Saddle Bracket For Main Burner. 063244/063444
55	950-01380	Suburban Nut Loxit 1/4" Suit Sw6pa 4/96 Model. 171463
56	950-01380	Suburban Nut Loxit 1/4" Suit Sw6pa 4/96 Model. 171463



950-01140 SUBURBAN ANODE ROD FOR ALL SUBURBAN HWS

All Suburban HWS' have an anode rod which absorbs all the corrosive action of hot water. It is located on the bottom of the HWS (under the main burner), simply unscrew this to drain the tank of water. If the rod is mostly eaten away, replace it with a new one. The Suburban anode rod fits the 4, 5 and 6 gallon tanks.

Did you know?

There are many anode rods on the market. Cheaper imitations may not always be the best fit for a Suburban HWS. Not only are some imitations the incorrect length, you also need to be weary of the thread type (at the head of the rod). The Suburban range of HWS's are made in the USA and they use the NPT style thread for the anode.

Most other parts of the world use a BSP style thread. If a BSP threaded anode rod is fitted into a Suburban HWS it will damage the pitch on the internal thread and cause future leaks. Coast always recommends using a Suburban anode rod in a Suburban HWS.



SUBURBAN EXTERIOR DOORS

Suburban exterior doors stand up to the elements and frequent use, with corrosion-resistant steel finished in a tough, high-solids baked enamel for extra chip resistance. Coast to Coast stock the standard doors which are installed without bending flanges or installing corner gussets for easy installation and a superior seal.

950-01304 SUBURBAN POLAR WHITE DOOR

For SW5DEA Water Heater.



950-01308 SUBURBAN NEW STYLE POLAR WHITE DOOR

Suitable for SW6PA, SW6DA, SW6DEA and SW4DEA.



950-01314 SUBURBAN NEW STYLE BLACK DOOR

Suitable for SW6PA, SW6DA, SW6DEA and SW4DEA.

Dimensions (overall): 381W x 381H (mm)



950-01320 SUBURBAN PLASTIC DOOR LATCH CLIP ONLY (WHITE)

A replacement latch suitable for use on all Suburban HWS Doors.



950-01324 SUBURBAN PLASTIC DOOR LATCH CLIP ONLY (BLACK)

For all models.



SUBURBAN HOT WATER HEATER FAQS

Are all Suburban Water Heaters equipped with an Anode Rod? What is its function? When should it be changed?

YES - all Suburban water heaters feature an anode rod. The anode equalizes aggressive water action, providing cathodic protection for the tank. It is a very important factor in tank life and should only be removed for inspection, draining or replacement. It is removable using a 1-1/16" thin wall socket. Under normal use, the anode rod will deteriorate. Because of this, we recommend it be replaced bi-annually or when consumption or weight loss of the rod is greater than 75%.

Note: Water with high levels of iron &/or sulphate will increase the rate of deterioration. To extend anode life, drain water from tank whenever the RV is not being used. Avoid any extended time of non-use with water in the tank.

Why does water drip from my water heater's pressure and temperature (P&T) relief valve?

You may experience water weeping or dripping from your water heater's pressure and temperature (P&T) relief valve when your water heater is operating. Water weeping or dripping does not mean that the P&T valve is defective. As water is heated, it expands. The water system in an RV is a closed system and does not allow for the expansion of heated water. When the pressure of the water system exceeds the relieving point of the P&T valve, the valve will relieve the excess pressure.

Can I add-on an electric element to a PA/DA Model (GAS ONLY Unit)? What will happen if I use it?

NO - the use of these aftermarket heating element devices may result in damage to components or the water heater. When aftermarket heating elements are inserted into the anode rod/drain connection, tank life is shortened by accelerating inner tank corrosion. This will be a non-warrantable situation. An upgrade is required to a GAS/ELECTRIC model, for this application.

What if I operate the water heater without water in the tank?

Operation without water in the tank on the 12V DC gas portion of the water heater can cause the copolymer insulation jacket to melt and can cause the ECO/Thermostat to trip. Operation without water in the tank on the 230V AC electric portion of the water heater will damage the element.

There is a bad odour coming from the hot water faucet. How can I correct this?

Odour from the hot water system is not a service problem and many water supplies contain sufficient amounts of sulphur to produce an odour. The odour is similar to rotten eggs and is often referred to as "sulphur water". Sulphur water is not harmful-only unpleasant

to smell. Sulphur water can be caused by a chemical action or by bacteria. The key to eliminating this smell is heavy chlorination of the water system. Add about 177ml of chlorine (common household liquid bleach) to each 10 gallons in the water tank. Then run the heavily chlorinated water throughout the system, opening each faucet one at a time until you smell the chlorine. Let the RV sit a few days and the chlorine should take care of the problem. Then you will need to remove the chlorine by flushing the water system. If you don't have a water filtration system that removes chlorine, you may have a problem getting rid of the chlorine taste. You might consider adding such a system because it allows you to keep water chlorinated and this prevents several problems, including sulphur water. Chlorination also takes care of other types of bacteria and viruses.

How do I drain my water heater?

Follow the steps below:

1. Turn off electrical power to the water heater either at the switch from the electric element or a breaker.
2. Shut off the gas supply to the water heater.
3. Turn off the pressure pump on the water system.
4. Open both hot and cold water faucets.
5. Remove the anode rod from the tank. (NOTE: TAKE CARE as water may be HOT when drained from the unit).
6. Follow the RV manufacturer's instructions for draining the entire water system.



950-02700
CAMCO SCREW-IN ELEMENT WRENCH 5" FOR SUBURBAN HWS

This zinc-plated element wrench goes where other wrenches can't, allowing you to remove and replace screw-in elements with ease. It works in conjunction with your screwdriver and fits all 5" regular screw-in elements and 1-1/2" nuts.



950-02730
TUBE SPANNER 1 1/16" X 1 1/2" 250MM OVERALL LENGTH FOR SUBURBAN HWS

This two in one tool will work with Genuine Suburban Anodes and Heat Elements.



950-02710
CAMCO T & P UNIVERSAL VALVE REMOVER

Replace temperature and pressure valves faster and more safely. The Valve Remover gives you better access to the water heater housing, reducing injuries. Fits Atwood and Suburban (Mor-Flo) water heaters



950-02720
CAMCO HWS TANK RINSER

Cleans the sediment that collects at the bottom of your water heater and flushes it out. Note, please use 800-01992 to connect the Tank Rinser to your garden hose.



NAUTILUS IW60A ON DEMAND WATER HEATER



Enjoy endless hot water with Suburban's NAUTILUS On Demand RV Water Heater. Say "good-bye" to waiting for water to reheat in a conventional tank. Showers and baths are best enjoyed slowly, so live free from the restraints of limited hot water supplies. Dishes and even the laundry can be done with an infinite supply of hot water whenever and wherever, simultaneously from every fixture.

With no storage tank to heat water, the NAUTILUS On Demand RV Water Heater reduces weight and increases efficiency by only operating when the need for hot water arises. The NAUTILUS On Demand RV Water Heater uses an exclusive 60,000 BTU 2-Stage Modulating Combustion System (MCS) which instantaneously adjusts the LP gas input to provide consistent and endless comfort regardless of your hot water needs.

950-03000 SUBURBAN'S NAUTILUS ON DEMAND WATER HEATER

- developed with **INDUSTRY-BEST:**

- > Exclusive 60,000 BTU Two-Stage Self Modulating Combustion System
- > Built-In Freeze Protection
- > Only 16.3kg Installed
- > Two-Year Limited Warranty

The EXCLUSIVE 2-Stage Modulating Combustion System (MCS) Monitors:

- > Inlet water temperature
- > Inlet water flow
- > Output water temperature
- > Combustion air fan speed
- > Heat exchanger & burner operation



SUBURBAN NAUTILUS CONTROL CENTRE

The On Demand Control Center provides precise temperature control, reliable and consistent comfort from the convenience of your RV.

950-03500 SUBURBAN NAUTILUS CONTROL CENTRE - WHITE



950-03502 SUBURBAN NAUTILUS CONTROL CENTRE - BLACK



SUBURBAN NAUTILUS VENTS

A Suburban replacement panel and vent cap are required when replacing Suburban 6, 10, 12, and 16 gallon tank units with the NAUTILUS On Demand RV Water Heater.

950-03504
SUBURBAN NAUTILUS VENT FOR 0 - 2.5CM
(0 - 1 INCHES) WALL THICKNESS



950-03506
SUBURBAN NAUTILUS VENT FOR 2.5 - 5.0 CM
(1 - 2 INCHES) WALL THICKNESS



950-03508
SUBURBAN NAUTILUS VENT FOR 5.0 - 7.6 CM
(2 - 3 INCHES) WALL THICKNESS

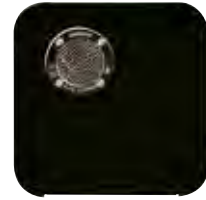
**SUBURBAN NAUTILUS ACCESS DOORS**

Please note: The images below are shown with the vent cap installed for illustration purposes only. Replacement Panels and Vent caps are sold separately. The Suburban 10 Gallon Replacement panel is used for 10, 12 or 16 gallon capacity unit installations.

950-03510
SUBURBAN NAUTILUS ACCESS DOOR
6 GAL - WHITE



950-03512
SUBURBAN NAUTILUS ACCESS DOOR
6 GAL - BLACK



950-03514
SUBURBAN NAUTILUS ACCESS DOOR
10 GAL - WHITE



950-03516
SUBURBAN NAUTILUS ACCESS DOOR
10 GAL - BLACK



950-03518
SUBURBAN NAUTILUS ACCESS DOOR
6 GAL ATWOOD - WHITE



950-03520
SUBURBAN NAUTILUS ACCESS DOOR
10 GAL ATWOOD - WHITE



Installation Configuration Examples

The NAUTILUS On Demand RV Water Heater from Suburban is a truly adaptable platform that offers a variety of installation options to suit your needs. The below configurations examples demonstrate the NAUTILUS system's industry leading versatility.

Example Configuration 1

The minimum specification install of the Nautilus system required only the system itself and a single vent to suit your vehicles wall thickness. Please note that the unit should be installed as close to wall as possible.



Example Configuration 2

The maximum specification install of the Nautilus system requires the system itself, the Nautilus Control Centre (available in black or white), a single vent to suit your vehicles wall thickness and a single access door.





NAUTILUS ON DEMAND WATER HEATER

PERFORMANCE SPECS	SUBURBAN NAUTILUS
Model	Nautilus IW60A, 5187A
Maximum Mj/Hr	64 (5) burners
Two-Stage Self Modulating Combustion System	YES Stage 1 Operation: 2 Burners Stage 2 Operation: 5 Burners
Fuel Source	Universal LP Gas
Dry Weight	15 kg with vent assembly Optional access panel 2.3 Kg shipping weight
12 VDC = AMPS	2.1 AMPS
Operational Voltage Range	10.2 - 14.5 VDC
MAXIMUM Output Water Temperature	50°C
Output Water Temperature - Factory Setting	50°C
Digital Control Center Temperature Range	35° - 50° (C)
Liters Per Minute (LPM) Required Flow	1.9 LPM
Freeze Protection	Standard
Warranty	2 - Year
Product Dimensions	316.6 mm W x 317.8 mm H x 464.9 mm D (includes inlet & discharge water lines)

Water Temp. Heat Gain From Incoming Water Temp.			
Input Water Temp	LPM	Output Water Temp	Gain
10°	5.7	48°	38°
	7.6	38°	28°
	11.4	29°	19°
15°	5.7	48°	33°
	7.6	43°	28°
	11.4	35°	20°
21°	5.7	50°	29°
	7.6	49°	28°
	11.4	39°	18°